



JUPITER

FAÇADE LIGHTING

With a modern, elegant, minimal and clean design for minimal impact on the urban landscape, **JUPITER** is a groundbreaking medium-throw, exterior surface mount spot, flood, and accent lighting solution. Distinguished by a surprising luminous efficacy, this IP67 rated light fitting comes with eight different optical configurations and a choice of four standard finish options.

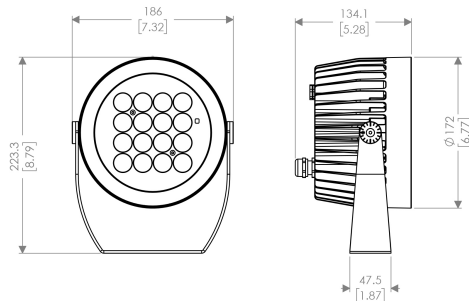


JUPITER

GRIVEN 

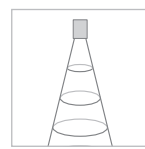
JUPITER

GRIVEN 



BEAM ANGLE REFERENCE

RGBW		WHITE LIGHT	
SPOT	8°	SPOT	12°
NARROW	12°	NARROW	15°
MEDIUM	23°	MEDIUM	25°
WIDE	43°	WIDE	47°
EXTRA WIDE	68°	EXTRA WIDE	61°
ELLIPTICAL	11°x41°	ELLIPTICAL	14°x39°
ELLIPTICAL WIDE	22°x39°	ELLIPTICAL WIDE	22°x37°
WALL WASH	14°(5°incline)x37°	WALL WASH	19°(5°incline)x38°



MAX OUTPUT
2395 lm
(SP RN configuration)

PHOTOMETRIC DETAILS AVAILABLE ON OUR WEBSITE

FEATURES AND OPTIONS



ACCESSORIES



CODES

AL5340 JUPITER

OPTICS

SP Spot
NA Narrow
ME Medium
WI Wide
EW Extra wide
EL Elliptical
WL Elliptical Wide
WW Wall Wash

LED TYPE

RN RGB+W 4000K
DW From 2700K to 6500K
40 Natural White 4000K
30 Warm White 3000K
27 Warm White 2700K

CONTROL SYSTEM

R DMX-RDM
D DALI

FINISH

W White RAL 9003
G GRIVEN Grey
A Anthracite RAL 7016
B Black RAL 9005

CABLE TYPE

S POWER IN, DMX IN, DMX OUT
C Monocable with connectors
M Monocable without connectors
D POWER IN, DALI IN, DALI OUT

OPTIONS

P Polar Edition
A Antisalination treatment
G 3G FIXING bracket

NOTES

Unless an RDM compatible control is used, JUPITER must always be purchased with AL1321 Infrared Remote Control. More JUPITER units can be controlled with one AL1321.

TECHNICAL SPECIFICATIONS

JUPITER is an IP67 compact floodlight, whose aluminium body hosts 16 high brightness RGBW, Dynamic White, 3000K and 2700K Warm White, 4000K Natural White, or, on request, monochrome power LEDs. Dimensions: 186x134x223 mm / 7.3x5.3x8.8". Available in DMX, automatic and Master-Slave mode, it also features RFU (Remote firmware update) and RDM (Remote device management) functions. Unless an RDM compatible control is used, one Infrared Remote Control AL1321 must always be purchased for one or more JUPITER units in order to access DMX addressing, stand-alone operations and DMX channels configurations. Power supply: standard 120-277 VAC / 50-60Hz. Power consumption: 0.18A @ 230V / 38W max. An Electrical Class I appliance, it also features self-resetting fuse protection as well as integrated electronic thermal protection management. The Polar Edition, fitted with an integrated de-icing system with electrically heated glass, is available on request. Operating temperature: -30°C to 50°C (-22°F to 122°F).

DIGITAL CONTROL SYSTEM SPECIFICATIONS AND CONFIGURATIONS AVAILABLE ON OUR WEBSITE



AUSTRALIA_Kurilpa Bridge, Brisbane